



SIMPLY
STAINLESS
Modular Bar Solutions



SBM-CS-6-0950

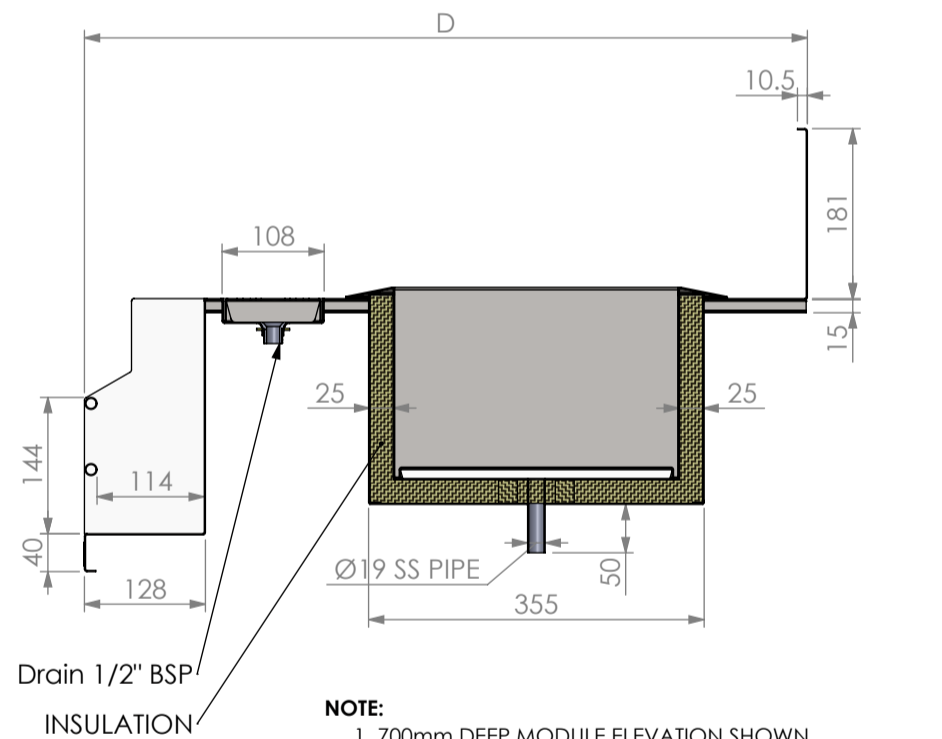


SBM-CS-7-0950



SBM-CSB-7-0950

SPECIFICATION	
Top section	- High quality 304 grade stainless steel. - 1.2mm gauge, no. 4 Finnish.
Ice well	- Fully insulated ice well. - Stainless steel. - Removable drip tray. - 1/2" BSP drain spigot
Speed Rail	- Full stainless steel. - Welded 2x stainless integrated rod.
	- Reinforcing channels under.



NOTE:
1. 700mm DEEP MODULE ELEVATION SHOWN.
2. GN PANS NOT INCLUDED.
3. LIDS, DIVIDERS AND CONDIMENT HOLDERS AVAILABLE AS OPTIONAL EXTRAS.

SBM-CS	COCKTAIL STATION			
	Product Code	Dimensions (mm)	D (mm)	Internal Ice well dimension (mm)
	SBM-CS-6-0950	950x600	665	300x300x202H
	SBM-CS-7-0950	950x700	765	300x300x202H
	SBM-CSB-7-0950	950x700	765	380x675x273H